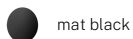


# PANZERI

## Hilow

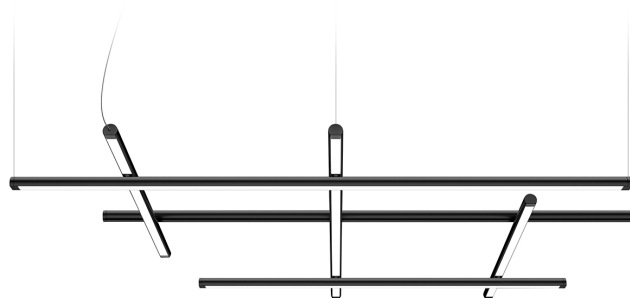
220-240V AC dimmable (DALI/Push DIM)

L02806.115.0502



### Data sheet

|                          |                          |
|--------------------------|--------------------------|
| CODE                     | L02806.115.0502          |
| SYSTEM POWER CONSUMPTION | 77W                      |
| EFFICACY                 | 65.52lm/W                |
| LIGHT SOURCE             | LED                      |
| LIGHT SOURCE LIFETIME    | L70 (B10) 60.000h        |
| COLOUR TEMPERATURE       | 2700K Ra>90              |
| LIGHT DISTRIBUTION       | diffused                 |
| POWER SUPPLY             | 220-240V AC              |
| FREQUENCY                | 50/60Hz                  |
| ELECTRICAL CONFIGURATION | dimmable (DALI/Push DIM) |
| DRIVER                   | integrated included      |
| NOMINAL LUMINOUS FLUX    | 9072lm                   |
| LUMEN OUTPUT             | 5045lm                   |
| EFFICIENCY               | 55.6%                    |
| WEIGHT                   | 2,80 Kg                  |
| PROTECTION DEGREE        | IP20                     |
| COLOUR TOLLERANCES       | SDCM 3                   |
| PACKING DIMENSIONS (CM)  | 87,0 x 118,0 x 14,0      |



Suspension lighting fixture for interiors, with direct and indirect light emission. Extruded aluminium structure in white, mat black, bronze, mat brass or titanium polyacrylic paint.

Joints in turned brass and die-cast aluminium in polyacrylic paint.

Die-cast aluminium end caps in polyacrylic paint.

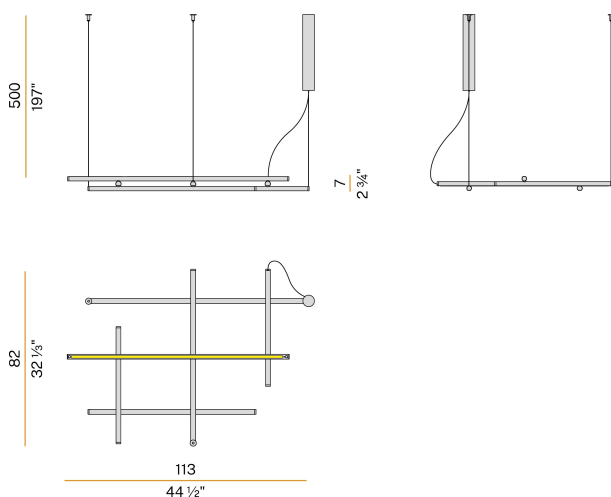
Extruded polycarbonate diffusers with opaline finish.

Reversible suspension kit with griplocks and 5m (196,9") long steel cables.

5m (196,9") long power cable in transparent PVC.

Canopy for power supply with 3 outputs, with pickled sheet metal ceiling bracket and extruded aluminium covering in white, mat black, bronze, mat brass or titanium polyacrylic paint.

### Technical drawing



### Polar diagram

